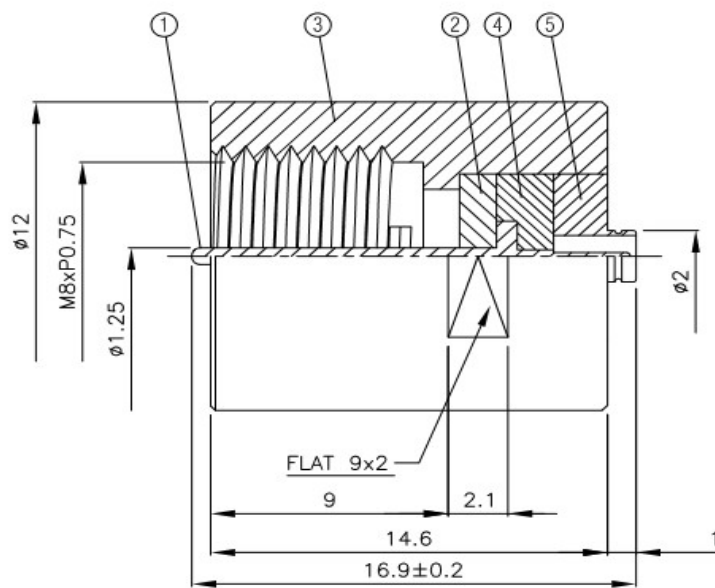


NI-128 FME Einbaubuchse / Hirose Anschluss



NO	DESCRIPTION	MATERIAL	Q' TY	FINISH
1	PIN	PH.BRONZE	1	GOLD
2	INSULATION 1	TEFLON	1	TEFLON
3	BODY 1	BRASS	1	NICKEL
4	INSULATION 2	TEFLON	1	TEFLON
5	BODY 2	BRASS	1	GOLD